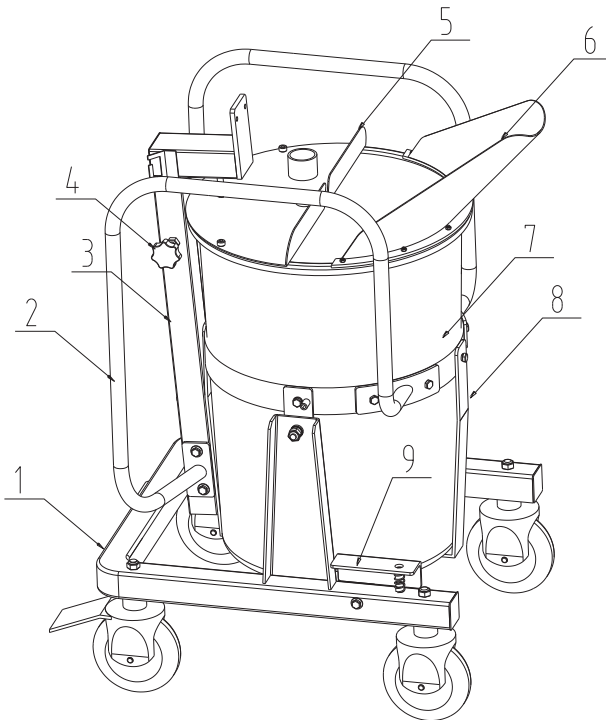


Leveling Compound Mixing Station



 Read before use





Spare Part List












1	Base bracket
2	Operating handle
3	Support tube
4	Plum blossom knob
5	Dust cover plate (optional)
6	Pour material mouth
7	Mixing barrel
8	Barrel hoop
9	Pedals

INDEX

- 1 Safety Warnings
- 2 Application
- 3 Using Instructions
- 4 Cleaning and Maintenance
- 5 Environmental Protection
- 6 Warranty

Symbols

The following are the icons that are used for the tool. Make sure you fully understand them before using them.

	Read the instruction manual		Class II machine
	CE mark		Wear safety gloves
	Caution		Wear hearing protectors
	Conforms to WEEE		Wear safety glasses
	Class II machine		Warning risk of cutting by the saw
			Use of segmented blades prohibited

1. Safety Warnings

⚠ Caution

Read all safety instructions and warnings provided with power tool. Failure to follow the instructions below may result in electric shock, fire and / or serious injury.

Keep all warnings and instructions for future reference.

The term "power tool" used in the safety instructions refers to mains operated power tools (with power cord) or to battery operated tools (without power cord).

General safety warnings for power tools

1.1 Safety in work area

- a) **Keep your work area clean and well lit.** Disarray or unlit work areas can lead to accidents.
- b) **Do not work with the power tool in a potentially explosive environment in which flammable liquids, gases or dusts are present.** Power tools generate sparks that can ignite the dust or fumes.
- c) **Keep children and bystanders away while using the power tool.** Distractions can result in a loss of control.

1.2 Electrical Safety

- a) **The plug of the power tool must fit into the socket. The plug must not be changed in any way.** Do not use adapter plugs together with electrically grounded power tools. Unmodified plugs and matching sockets reduce the risk of electric shock.
- b) **Avoid body contact with grounded surfaces such as pipes, heaters, stoves, and refrigerators.** There is an increased risk of electric shock if your body is grounded.
- c) **Keep power tools away from rain or moisture.** The penetration of water into a power tool increases the risk of electric shock.
- d) **Do not misuse the power cord to carry the power tool, hang it up, or unplug it from the power outlet.** Keep the connection cable away from heat, oil, sharp edges or moving parts. Damaged or entangled leads increase the risk of electric shock.
- e) **When working outdoors with a power tool, only use extension cables that are also suitable for outdoor use.** Using an extension cord suitable for outdoor use reduces the risk of electric shock.
- f) **If operation of the power tool in a damp environment is unavoidable, use a residual current device.** Using a residual current circuit breaker reduces the risk of electric shock.

1.3 Personal Safety

- a) **Be attentive, pay attention to what you are doing and be reasonable about working with a power tool. Do not use a power tool when you are tired or under the influence of drugs, alcohol or medication.** A moment of carelessness when using the power tool can cause serious injury.
- b) **Wear personal protective equipment and always safety goggles.** Wearing personal protective equipment such as a dust mask, non-slip safety shoes, hard hat or ear protection, depending on the type and use of the power tool, reduces the risk of personal injury.
- c) **Avoid unintentional startup. Make sure that the power tool is switched off before connecting, receiving or carrying it to the power supply and / or the battery.** Keeping your finger on the switch when you are wearing the power tool or plugging the power tool into power can cause an accident.
- d) **Remove setting tools or wrenches before turning on the power tool.** A tool or key located in a rotating part of the power tool can cause injury.
- e) **Avoid an abnormal posture. Ensure a secure footing and maintain balance at all times.** This allows you to better control the power tool in unexpected situations.
- f) **Wear suitable clothing. Do not wear loose clothing or jewelry.** Keep hair and clothing away from moving parts. Loose clothing, jewelry or long hair can be caught by moving parts.
- g) **If dust extraction and collection equipment can be installed, they must be connected and used properly.** Using a dust extractor can reduce dust hazards.
- h) **Do not weigh yourself in false safety and do not overstep the safety rules for power tools, even if you are familiar with the power tool after many uses.** Careless action can lead to serious injuries within fractions of a second.

1.4 Use and care of the power tool

- a) **Do not overload the power tool. Use the appropriate power tool for your work.** With the right power tool you work better and safer in the specified power range.
- b) **Do not use a power tool whose switch is defective.** A power tool that can not be turned on or off is dangerous and must be repaired.
- c) **Unplug the power cord and / or remove a detachable battery before making any adjustments to the device, changing the tool bits, or putting the power tool away.** This precaution prevents the unintentional start of the power tool.
- d) **Store unused power tools out of the reach of children. Do not allow persons to use the power tool that are unfamiliar or have not read these instructions.** Power tools are dangerous when used by inexperienced people.
- e) **Maintain power tools and insert tools with care. Check that moving parts are working properly and do not jam, that parts are broken or damaged enough to impair the functioning of the power tool. Have damaged parts repaired before using the power tool.** Many accidents are caused by badly maintained power tools.
- f) **Keep cutting tools sharp and clean.** Carefully maintained cutting tools with sharp cutting edges become less jammed and easier to guide.
- g) **Use power tools, accessories, tools etc. according to these instructions. Take into account the working conditions and the activity to be performed.** The use of power tools for other than intended applications can lead to dangerous situations.
- h) **Keep handles and grips dry, clean and free of oil and grease.** Slippery handles and gripping surfaces do not allow safe operation and control of the power tool in unforeseen situations.

1.5 Use and care of the battery tool

- a) **Charge the batteries only with chargers recommended by the manufacturer.** A charger suitable for a particular type of battery may cause a fire when used with other batteries.
- b) **Use only the appropriate batteries in the power tools.** Use of other batteries may cause injury or fire.
- c) **Keep the unused battery away from paper clips, coins, keys, nails, screws, or other small metal objects that could cause the contacts to bridge.** A short circuit between the battery contacts can cause burns or fire.
- d) **If used incorrectly, liquid may leak from the battery. Avoid contact with it. In case of accidental contact, rinse with water. If the fluid gets into your eyes, seek additional medical attention.** Leaking battery fluid may cause skin irritation or burns.
- e) **Do not use a damaged or modified battery.** Damaged or altered batteries can behave unpredictably and cause fire, explosion or injury.
- f) **Do not expose a battery to fire or high temperatures.** Fire or temperatures over 130 ° C can cause an explosion.
- g) **Follow all charging instructions and never charge the battery or the cordless tool outside the temperature range specified in the operating instructions.** Incorrect charging or charging outside the permitted temperature range can destroy the battery and increase the risk of fire.

1.6 Service

- a) **Only have your power tool repaired by qualified personnel and only with original spare parts.** This ensures that the safety of the power tool is maintained.
- b) **Never use damaged batteries.** All battery maintenance should only be done by the manufacturer or authorized service centers. Follow the instructions for lubricating and changing accessories.

Additional safety warnings from the manufacturer

- Please keep the Mixing station away from the high temperature source, and flammable, explosive, corrosive liquids and gases.
- Please protect the Mixing station from damage by external force or sharp objects, and pay attention to prevent falling damage.
- Please don't touch the mixing rod of the mixer in operation by hand and draw the cable into the mixing rod.
- Please don't keep the Mixing station exposed to rain and humidity for a long time.
- When using Mixing station, please wear dust masks and goggles.
- This Mixing station is only used for mixing Construction materials. Please don't apply to other solids and materials whose weight exceeds the recommended mixing weight.
- If the mixing rod is damaged, it is recommended to replace it in time.
- Keep the mixing rod in the mixer rotating smoothly and running well.

2. Application

- Suitable for mixing cement-based self-leveling, epoxy floor paint, permeable crystalline waterproof material and material with good fluidity.

Model	MS1900
Measurement	745x560x997mm
Net Weight	33,5Kg
Power	1900W
Voltage/Frequency	230V/50-60HZ
No load speed	1st 150-300rpm/min 2nd 300-650rpm/min
Mixing Paddle	300x600mm
Capacity	100L
Noise measurements	L _{pA} =85,8dB(A)
L _{pA} [dB(A)]	L _{pA} =85,8dB(A)
L _{pCpeak} (dB) K _{pCpeak} (dB)	Less than 130dB(A)
L _{wA} [dB(A)]	L _{wA} =96,8dB(A)
K _{wA} [dB(A)]	K _{wA} =3 dB(A)
Work mode - vibration emission value a (m/s ²)	ah _D =1,695m/s ²
Uncertainty K (m/s ³)	K= 1,5 m/s ²

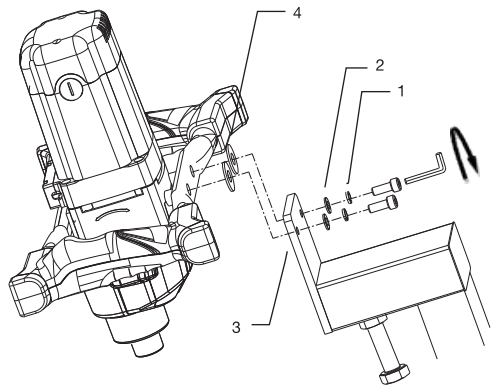
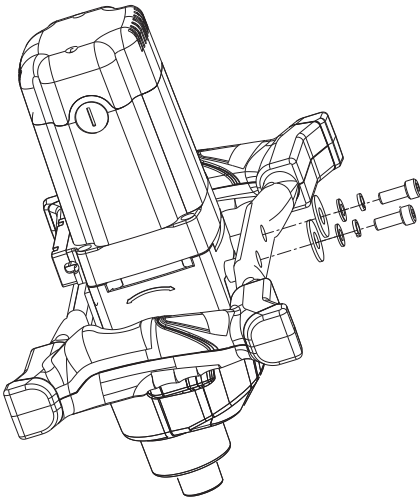
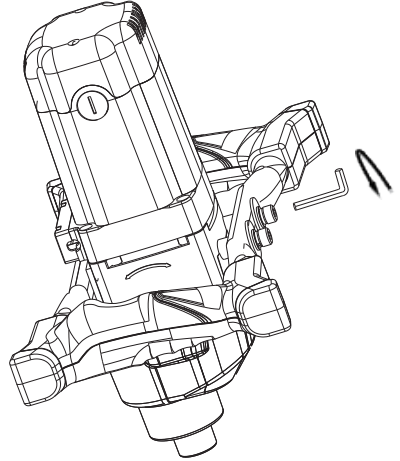
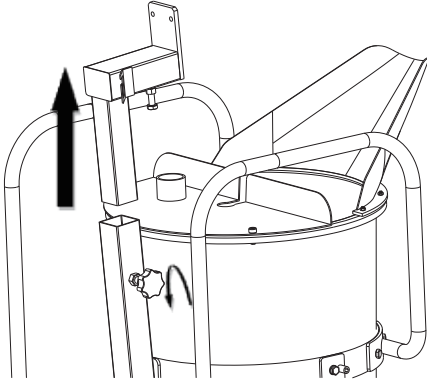
**Manufacturer reserves the right to change specifications without notice.
Specifications may differ from country to country**

3. Using Instructions

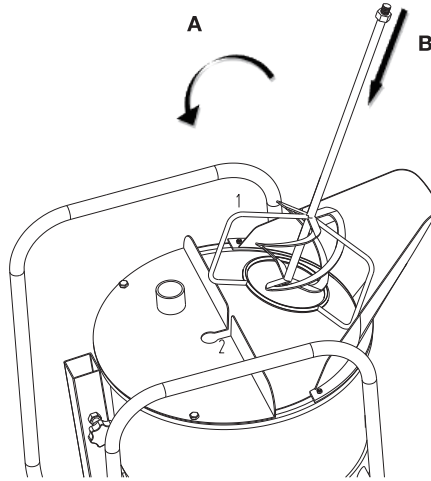
3.1 Connecting plate parts down first. Then unscrew the matching mixer according to the position shown in the picture.

Then make screws pass through 8 spring mat and 8 flat mat in order of 1-2-3-4 as shown in the diagram.

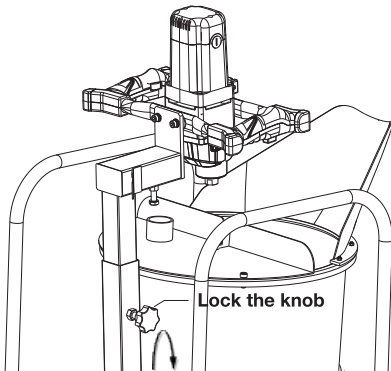
Machine connection plate, 2mm gasket. Tighten with the hexagon socket wrench again to complete the installation and fixation of the main engine and the connecting plate.



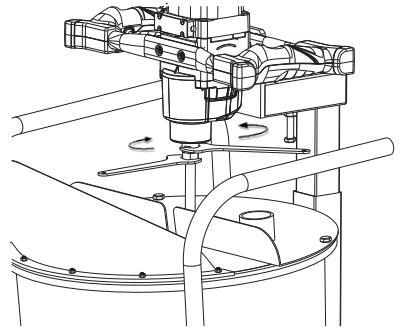
3.2 Align the No. 1 side of the mixing paddle with hole No. 2, and slightly tilt it into the station partly according to the A direction, and then completely put the mixing paddle into the bucket according to the B direction. Install the mixer back on the support tube, use two pairs of open-end wrenches to lock the mixing paddle and the mixer.



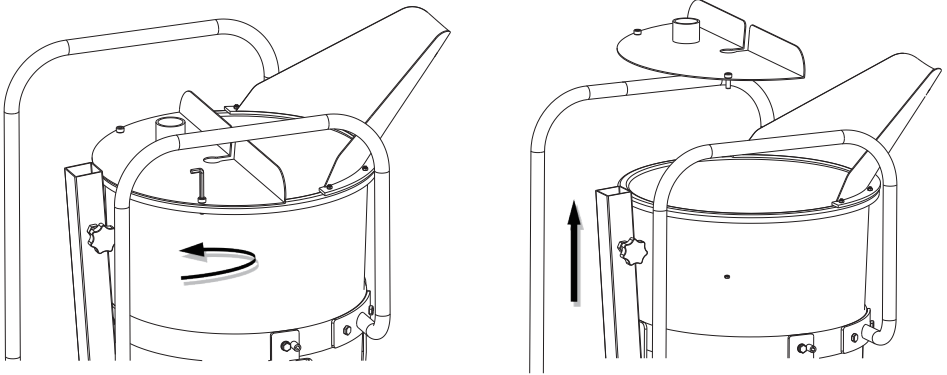
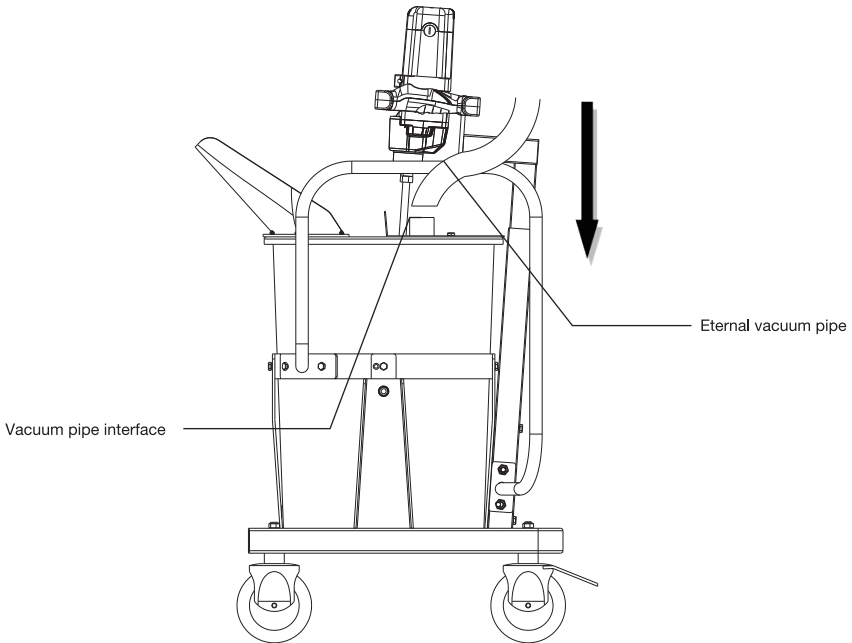
3.2.1 Align the No. 1 side of the mixing paddle with hole No. 2, and slightly tilt it into the station partly according to the A direction, and then completely put the mixing paddle into the bucket according to the B direction.



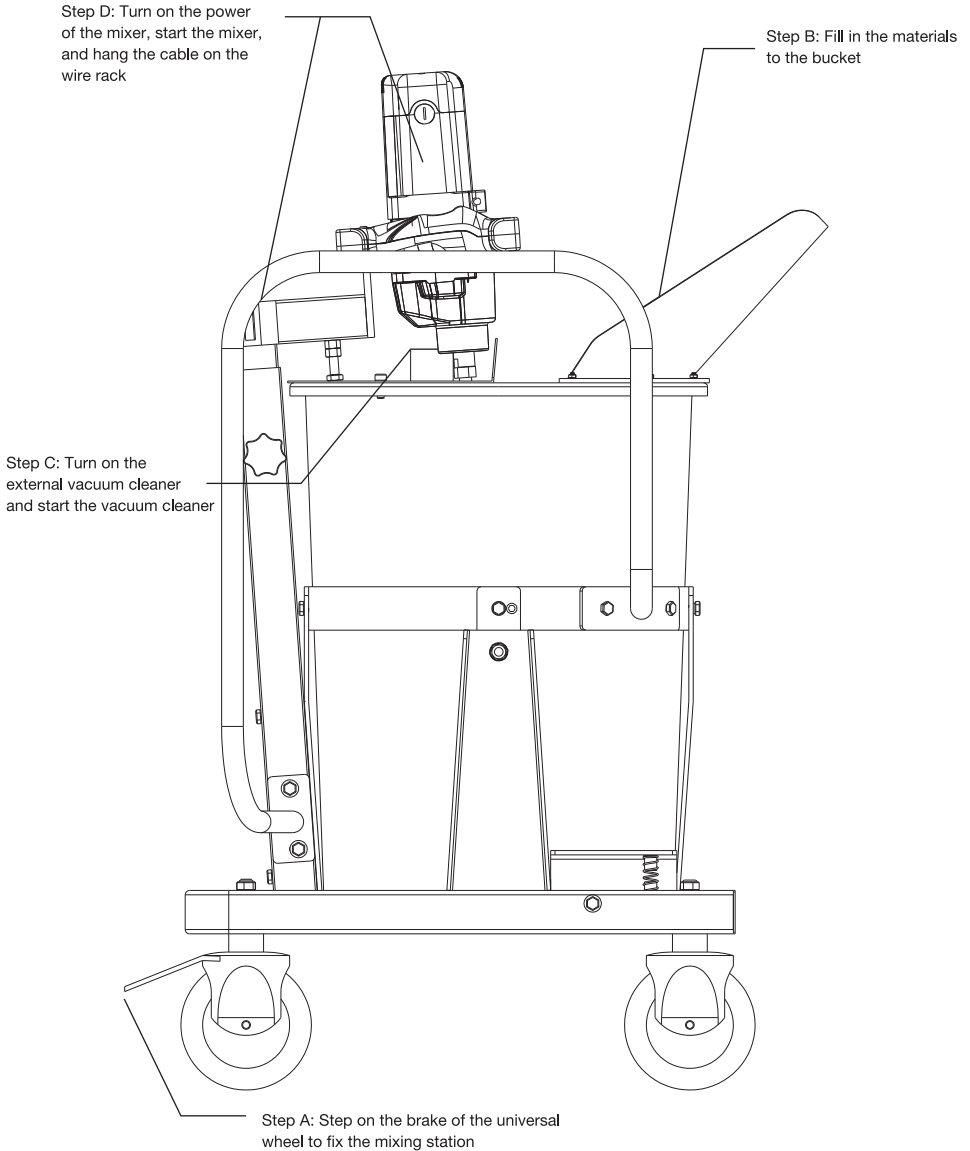
3.2.2 Insert the parts completed in step 1 into the outer tube and lock the knob

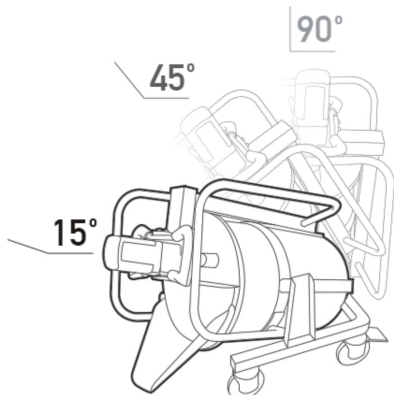
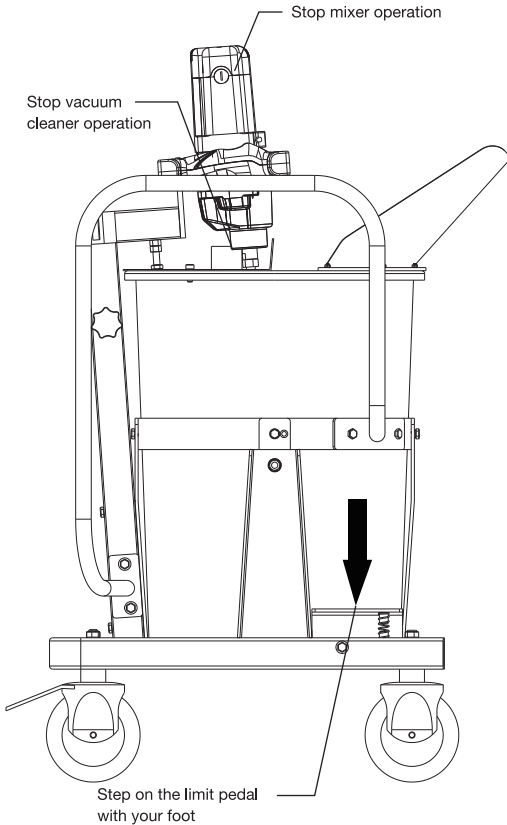


3.2.3 Use an open-end wrench to lock the mixing paddle and the mixer in the direction shown

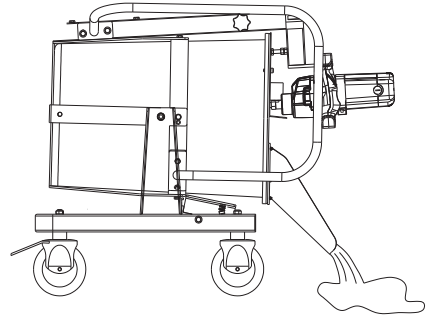
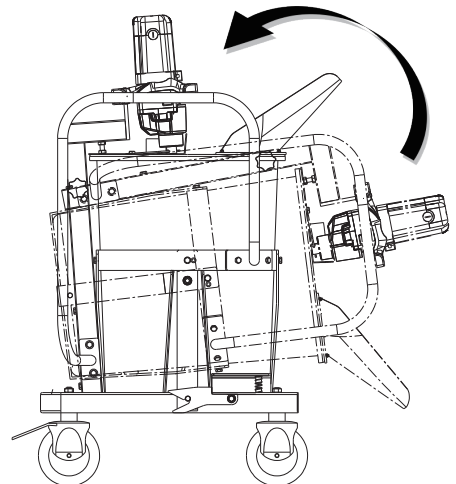
3.3 Removal of the dust cover of the mixing station and the connection of the external vacuum cleaner.**3.3.1** Use an Allen key to unscrew the socket head screws in the direction shown in the figure, and remove the dust cover**3.3.2** Connect the vacuum pipe interface of the mixing station with the vacuum pipe of the external vacuum cleaner in the direction of the arrow

3.4 Follow the steps to complete the operations from A to D in sequence to complete the mixing operation of the mixing station.



3.5 Pouring operation of the mixing station

Hold the handle with both hands and pour the bucket down until the handle touches the position A in the figure

**3.5.1** Pour the material after tilting to a suitable angle

3.5.2 After pouring, hold the handle to return the bucket to the right position, and restore the cylindrical pin to the slot as shown in the figure

4. Cleaning and Maintenance

- The tool and its air vents have to be kept clean, regularly clean the tool's air vents or whenever the vents start to become obstructed.
- Check the all screws if be loosened or no periodically.
- Usually check the cord insulation if broken or not.
- Send your mixing plant to a professional repairman and replace it with the same spare parts.
- The Mixing station should be kept clean after use.

5. Environmental Protection

- Do not dispose of electrical appliances in the household waste.
- Follow the local provisions for the disposal of electrical or battery products.
- Valuable materials can be recovered by recycling.
- The electrical or battery components used for construction are in accordance with the regulation European Directive 2012/19 / EU on waste electrical and electronic equipment and transposition into national law., used electrical appliances must be collected separately and recycled in an environmentally sound manner.
- Contact us for further information.



6. Warranty

- The guarantee covers all manufacturing or assembly defects in accordance with the legislation in force. The guarantee does not cover malfunctions caused by improper use, overloads, failure to follow the operating instructions and normal wear and tear.
- For more details and information, consult the general guarantee conditions at www.bihuitools.com



www.bihuitools.com